

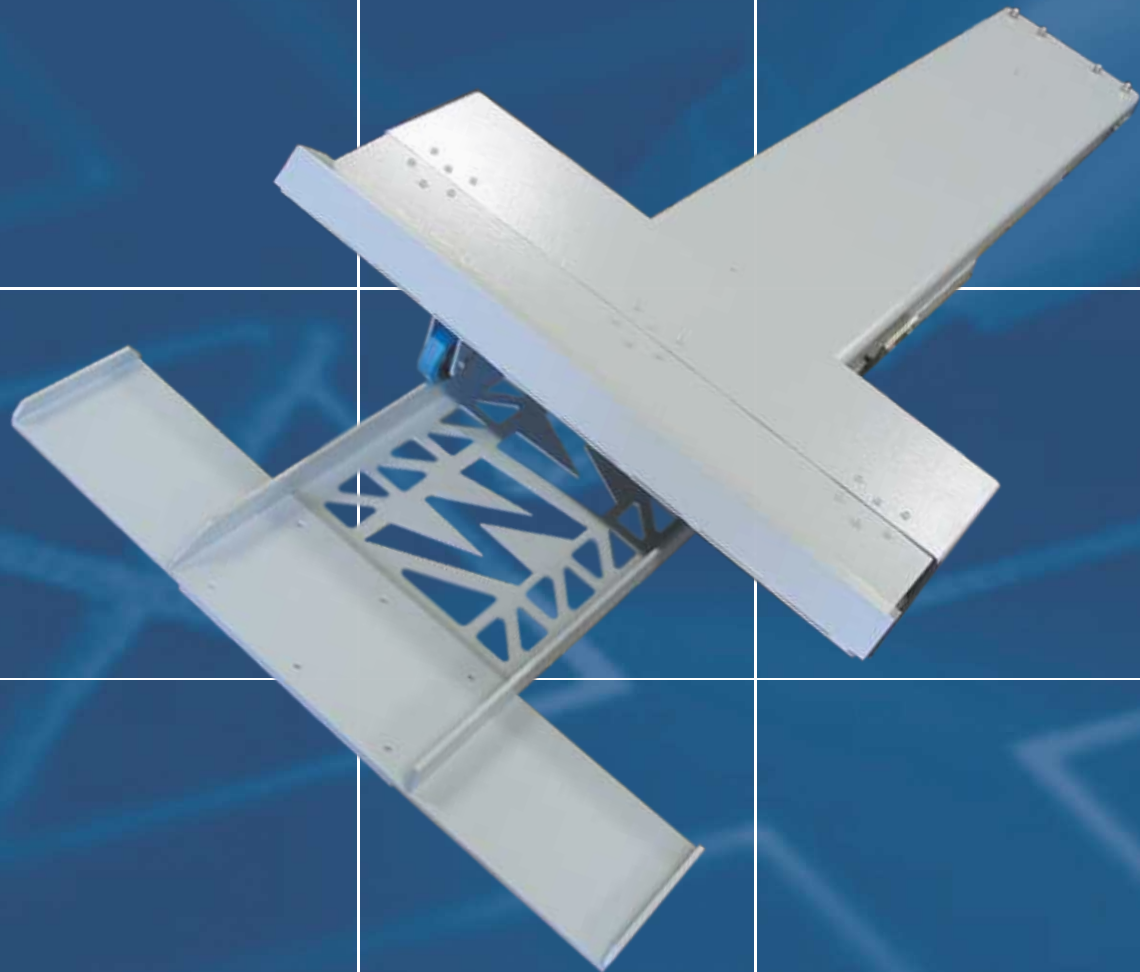


eINFACH MACHEN.

PROZESSTECHNIK | SYSTEMOPTIMIERUNG | SONDERMASCHINEN

SAMPLING SYSTEMS

Sampling system PEA 1000 “standard”



3.01

Solutions for automated quality assurance

Sampling system PEA 1000 "standard"

Different sorts of bulk material have to be tested as to their composition: simultaneously with the production process, directly from the material flow. This goes for finished products, half-finished products, domestic and commercial waste, metal and e-waste, compost, substitute fuel as well as food, glass, gypsum or concrete. The PEA 1000 always collects the samples reliably, regardless of the grain size. You comply with legal control standards and put emphasis on reliable and efficient quality assurance!

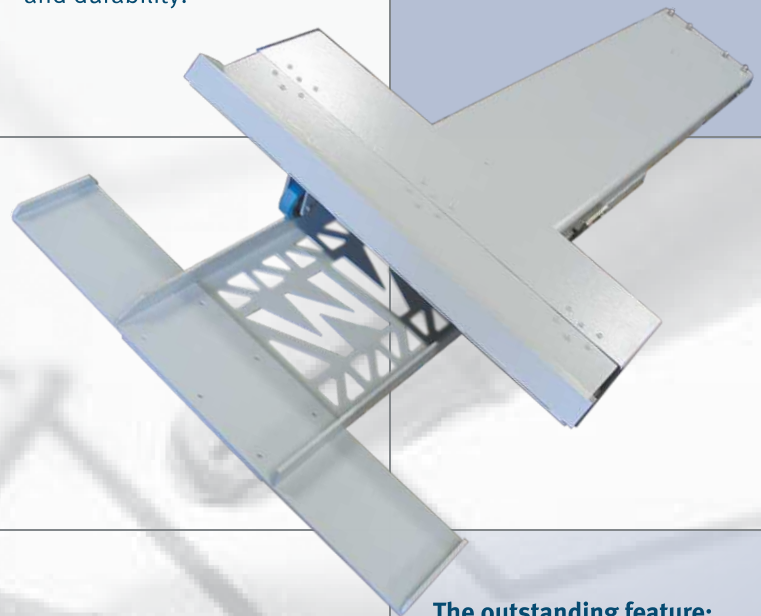
Sampler operating under toughest conditions
(mechanic-biologic reprocessing)



Indestructible technology:

Pneumatic linear drive or electronic spindle drive guarantee maximum reliability and durability!

- representative
- all-automatic
- twenty-four-seven
- easy to retrofit



The outstanding feature:

The sampling machine PEA 1000 can easily be retrofitted into existing production facilities, even during the running production!

PEA 1000 at sampling
without collecting device

